

For Surface and Subsea Umbilical Winches

Stainless Steel IP66 Housing

Gas Purge Option

60 Amp 3700 Volt Rings

### OPTIONS

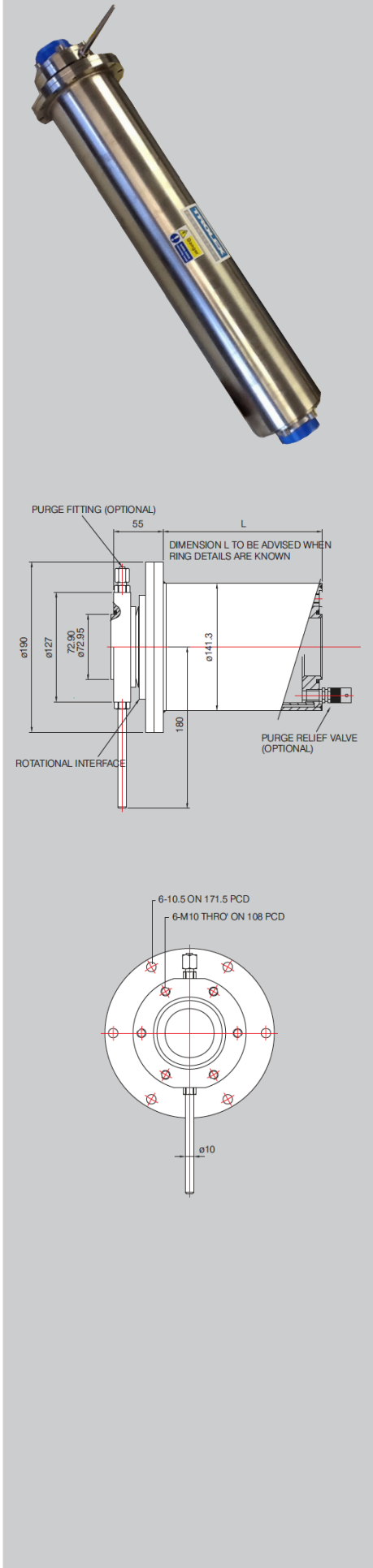
- Drive and mounting arrangement to suit Customer's requirements
- Gas purged
- Oil filled pressure compensated
- Cable hose nipples
- Junction box
- Trolex Gas / Fluid Swivel (inert gases only)
- Multi-pass Fibre Optic Rotary Joint

### OPERATING SPECIFICATION

Ambient Temperature Range	-20 °C to +45 °C
Maximum Speed	40rpm (higher on request)
Maximum Voltage	3700V ac (higher on request)
Maximum Current	60 Amps/Ring (higher on request)
Number of Rings	Up to 120
Enclosure	IP66

### TECHNICAL DETAILS

Connections	Factory fitted flying leads or cost option plug and socket connectors
Flying Leads	Non PVC Insulated 3m long as standard
External Materials	316 Stainless Steel
Bearings	Sealed for life ball journal
Slip Rings	Phosphor bronze (precious metal plated for signals)
Brushes	Copper graphite for power (silver graphite for signals)
Fasteners	Stainless Steel metric



适用于水面和水下脐带缆绞车

不锈钢IP66外壳

可选气体吹扫

60A@3700V滑环

#### 可选配置

- 驱动和安装安排，以满足客户要求
- 气体吹扫
- 油浸压力补偿
- 电缆接头螺纹管
- 接线盒
- Trolex气体/流体旋转接头（仅限惰性气体）
- 多通道光纤旋转接头

#### 操作规格

环境温度范围	-20°C 至 +45°C
最高转速	40rpm（可根据要求定制）
最高电压	3700Vac（可根据要求定制）
最大电流	60A/环（可根据要求定制）
环数	高达 120个
外壳防护等级	IP66

#### 技术细节

连接方式	工厂安装的引线或作为成本选项的插头插座连接器
引线	标准为非PVC绝缘，长3米
外部材料	316不锈钢
轴承	终身密封球轴承
滑环	磷青铜（信号环采用贵金属电镀）
电刷	铜石墨用于动力（银石墨用于信号）
紧固件	不锈钢公制

